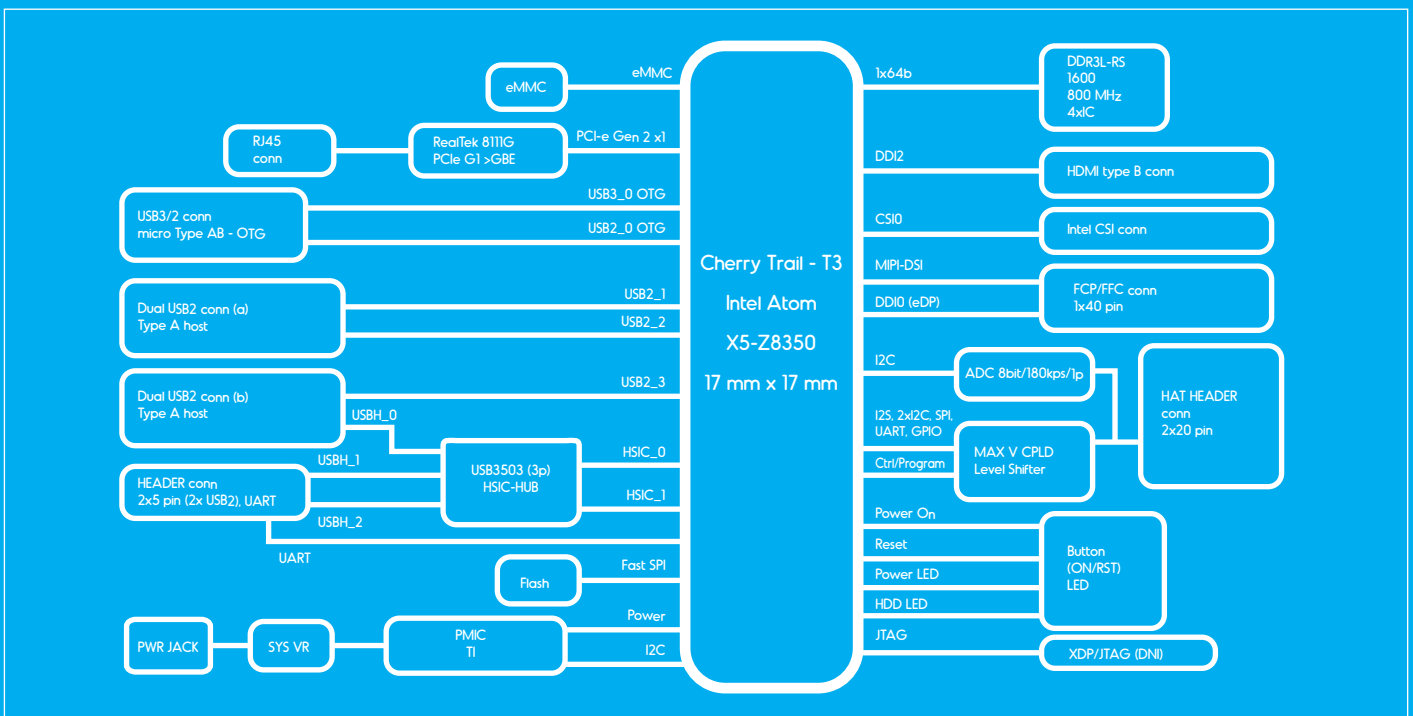


 	<p>SOC Intel® Atom™ x5-Z8350 Processor (2M Cache, 1.44 GHz up to 1.92 GHz) CPU with 64 bit architecture; Quad Core</p> <p>Graphics Intel® HD 400 Graphics ,12 EU GEN 8, up to 500MHz Support DX*11.1/12, Open GL*4.2, Open CL*1.2 OGL ES3.0, H.264, HEVC(decode), VP8</p> <p>Video & Audio HDMI 1.4b I2S audio port</p> <p>Camera interface CSI (4 Mega pixel)</p> <p>USB 2.0 4x UB2.0 2x USB 2.0 pin header (10 pins in total)</p> <p>RTC Yes</p> <p>Power 5V DC-in @ 3A 5.5/2.1mm jack</p> <p>Dimensions 3.37" x 2.22" / 85.6 mm x 56.5 mm</p> <p>Operating humidity 10%~80%RH non-condensing</p>	<p>Memory 1GB / 2GB / 4GB DDR3L-1600</p> <p>Storage Capacity 16GB eMMC / 32 GB / 64 GB eMMC</p> <p>Display interface DSI / eDP</p> <p>Ethernet 1x Gb Ethernet (full speed) RJ-45</p> <p>USB 3.0 1x UB3.0 OTG</p> <p>Expansion 40 pin General Purpose bus, supported by Altera Max V. ADC 8-bit@188ksos</p> <p>Compatible Operating system Microsoft Windows 10 full version Linux (ublinux, Ubuntu, Yocto) • Android Lollipop • Brillo</p> <p>Operating Temperature 32-140°F / 0~60°C</p> <p>Certificate CE/FCC Class A, RoHS complaint Microsoft Azure certified</p>
----------------------------------	--	---



UP - Pinout

2	4	6	8	10	12	14	16	18	20	22	24	26	28	30	32	34	36	38	40																				
1	3	5	7	9	11	13	15	17	19	21	23	25	27	29	31	33	35	37	39																				
1 3V3	2 5V	3 GPIO0/I2C_SDA	4 5V	5 GPIO1/I2C1_SCL	6 Ground	7 GPIO2/ADC-input	8 GPIO15/UART_TX	9 Ground	10 GPIO16/UART_RX	11 GPIO3	12 GPIO17/I2S_CLK	13 GPIO4	14 Ground	15 GPIO5	16 GPIO18	17 3V3	18 GPIO19	19 GPIO6/SPI_MOSI	20 Ground	21 GPIO7/SPI_MISO	22 GPIO20	23 GPIO8/SPI_CLK	24 GPIO21/SPI_CS0N	25 Ground	26 GPIO22/SPI_CS1N	27 GPIO9/I2C0_SDA	28 GPIO23/I2C0_SCL	29 GPIO10	30 Ground	31 GPIO11	32 GPIO24/PWM0	33 GPIO12/PWM1	34 Ground	35 GPIO13/I2S_FRM	36 GPIO25	37 GPIO14	38 GPIO26/I2S_DATAIN	39 Ground	40 GPIO27/I2S_DATAOUT

Part number :
UP-CHT01-A10-0116
UP-CHT01-A10-0216
UP-CHT01-A10-0232

1GB RAM+16GB eMMC
2GB RAM+16GB eMMC
2GB RAM+32GB eMMC

UP-CHT01-A10-0432
UP-CHT01-A10-0464

4GB RAM+32GB eMMC
4GB RAM+64GB eMMC

Included accessories
Optional accessories

Heatsink/RTC battery
Power adapter
USB3.0 OTG cable
HDMI cable